



PAXModular IP-Paging station – NPS04

beyond standard
solutions

Sittig Technologies GmbH

Goldgewann 4
D-65931 Frankfurt / Main
Germany

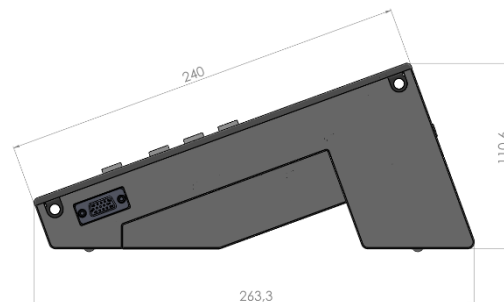
Phone:
+49 / 69 / 37 00 02 - 0

Web:
www.sittig.de

E-Mail:
info@sittig.de

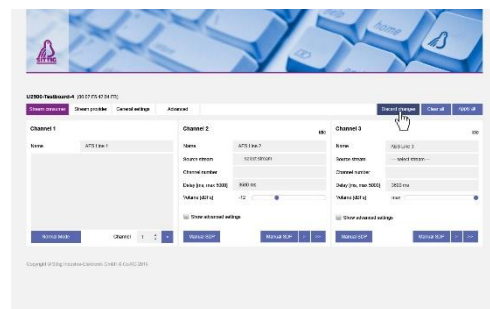
The IP Paging Station NPS was developed for manual announcements, especially at airport gates. The IP Call Station can be connected directly to the existing IT network of the airport, so no dedicated cabling is required.

The transmission of audio data and control commands is done via IP. All keys can be individually assigned. The call station is available with keypads of 12+1 buttons.



The body of the paging Station is made of plastic and the front panel of aluminium, which supports a robust design for everyday use in the airport environment.

Administration is conveniently carried out via an integrated web server.



Web Interface

Network connection	10/100MBit
Types of protocols	TCP/IP, UDP, HTTP, SNMP, BootP, DHCP, Audio-IP, QoS
Buttons	Up to 12+1 buttons (+ optional button extension) incl. illuminated displays. Individual labelling of the buttons possible.
Configuration	via. WEB- Interface
Voice Coding	16bit PCM uncompressed (24 or 44.1kHz)
Power supply	Power-Over-Ethernet (PoE),
Optional	<ul style="list-style-type: none"> SIP connection Redundant connection via analog audio and RS485 signaling Version with gooseneck (electret) or optional rod microphone (dynamic) Customer-specific adaptation of colouring and printing possible